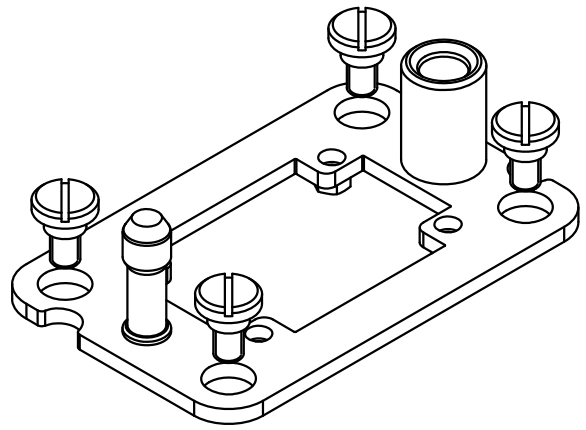
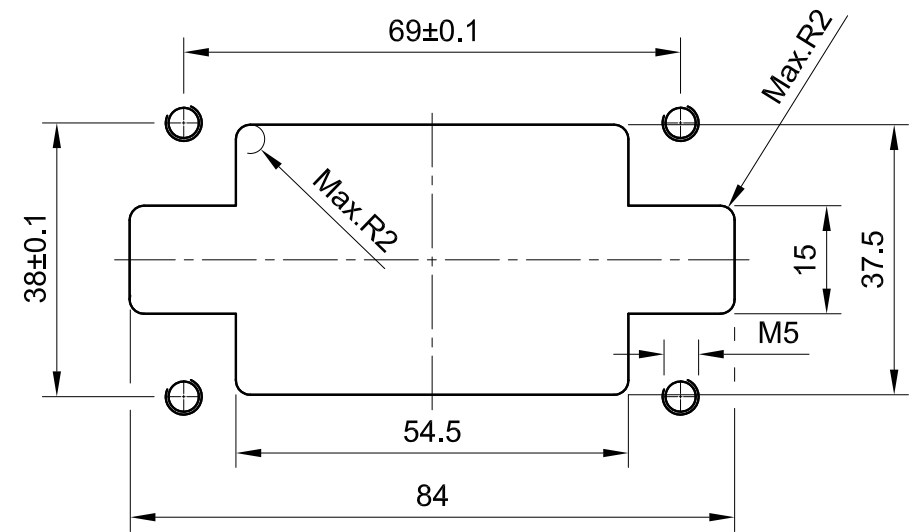



1) Distance for electrical and FOC contacts max. 27mm
for pneumatic contacts max. 26.5mm

Panel cut out



 InKonn (Suzhou) Electric Technology Co., Ltd.	All Dimensions in mm Original Size DIN A4	Date 2019-09-29	Drawing No. TC3293046	Rev. A00	Scale 1:1
	Part No. 10 11 006 8900	Created by Shuxu Huang	Checked by Yiyi Luo	Page 1/1	
Type Name DFB6					